

ProductionLine
TESTERS

IC100-A

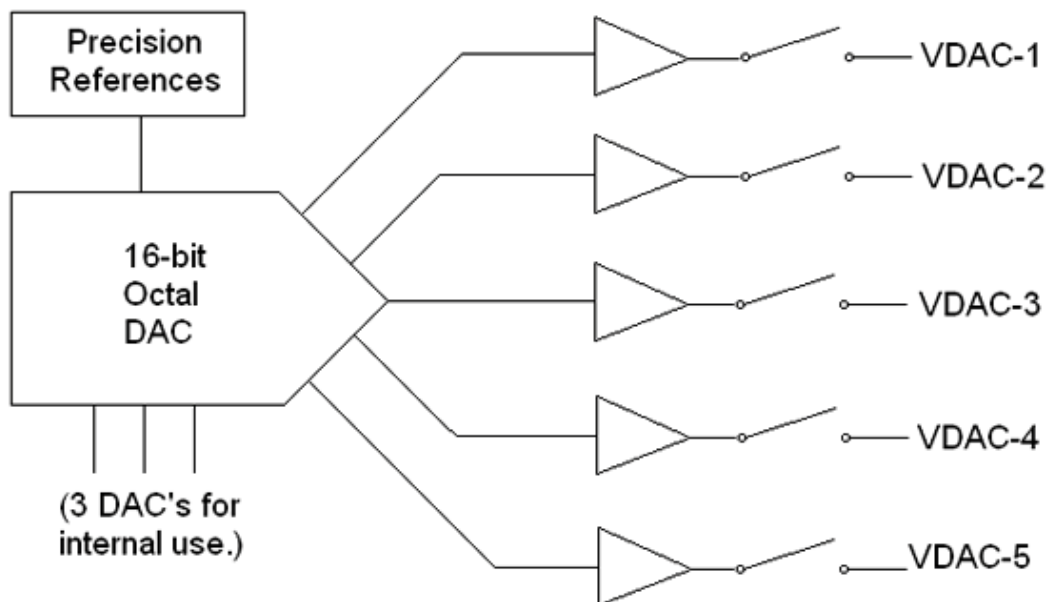


DAC

(Digital to Analog Converter)

Features:

- Five independent 16-bit buffered DAC's
- May be used like normal SMU, but voltage force only
- Up to 20mA current output
- Easy to use software interface



Specifications:

- Five independent DAC's
- +/-10V output swing, at +/-20mA maximum current
- Relays on each output will float unused DAC's