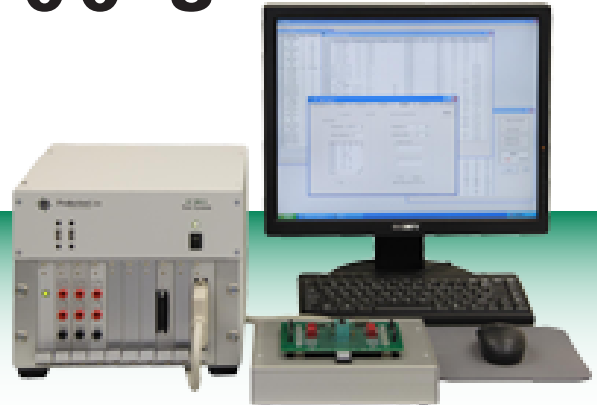


ProductionLine
TESTERS

IC100-S

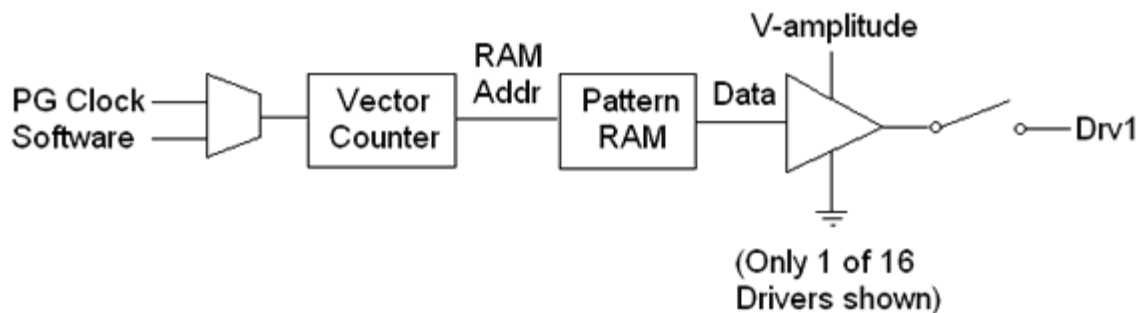


DRV

(Digital Output Driver)

Features:

- 16 drivers for dynamic control of digital pins
- Uses pulse generator clock, or may be stepped in software
- Programmable amplitude for the output
- Each test programmed with variable vector depths, to 1K
- Counters run RAM address lines at programmed vector rate



Specifications:

- Vector rate from DC to 20MHz
- Programmable amplitude from 1.65V to 5.5V
- Total vector depth is 1K
- Output drive +/-4mA to 32mA, depending on voltage amplitude