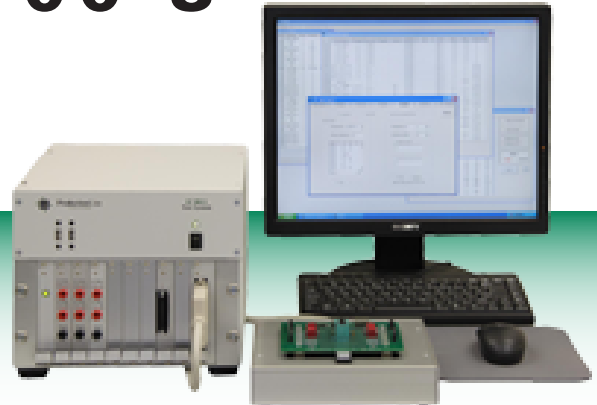


ProductionLine
TESTERS

IC100-S

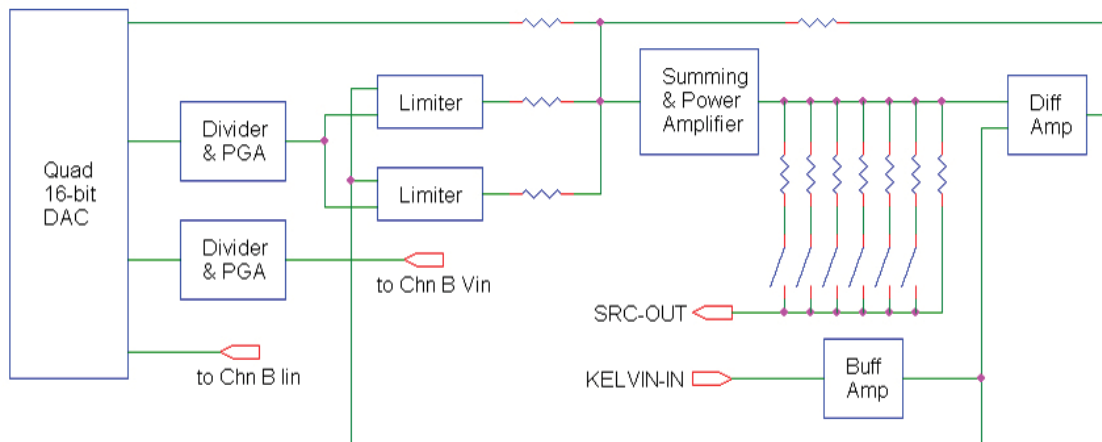


DVI

(Dual VI-Source Board)

Features:

- Dual 4-quadrant voltage/current source with programmable compliance
- Force voltage & measure current or force current & measure voltage
- Separate force & sense (Kelvin) lines for improved accuracy at the DUT
- Seven current ranges for each channel



Specifications:

- Voltage range: +/- 20V
- 7 current ranges: (all +/-): 1uA, 10uA, 100uA, 1mA, 10mA, 100mA, 200mA
- Resolution: 600uV, and 30fA to 6uA, depending on range
- Basic overall accuracy: 0.3%