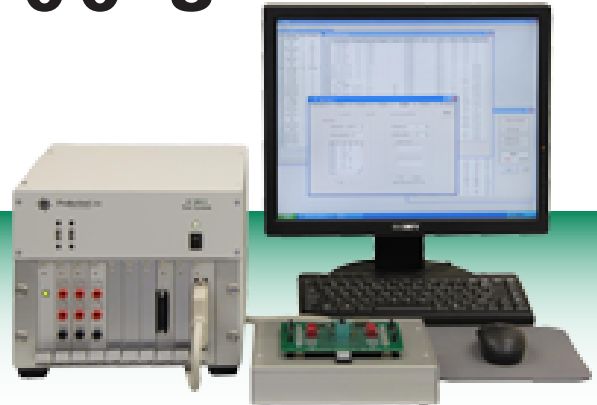




ProductionLine
TESTERS

IC100-S

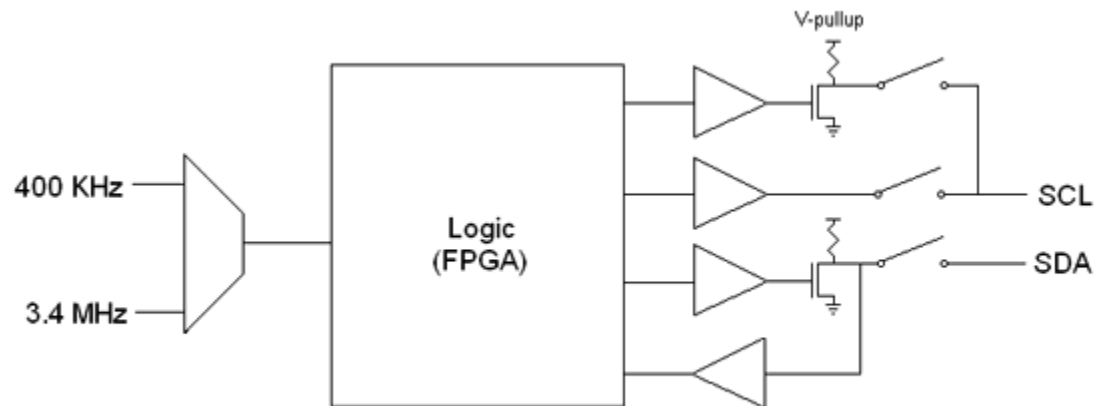


I²C

(Inter-Integrated Circuit Serial Port)

Features:

- Implements most of the functionality of the I²C master
- 400KHz uses 1K pullups to a programmable voltage
- 3.4MHz uses 1K pullup on SDA, and active pullup on SCL
- Easy to use software interface



Specifications:

- 400KHz "fast" mode and 3.4MHz "high-speed" mode
- Programmable pullup voltage 0 to 5V