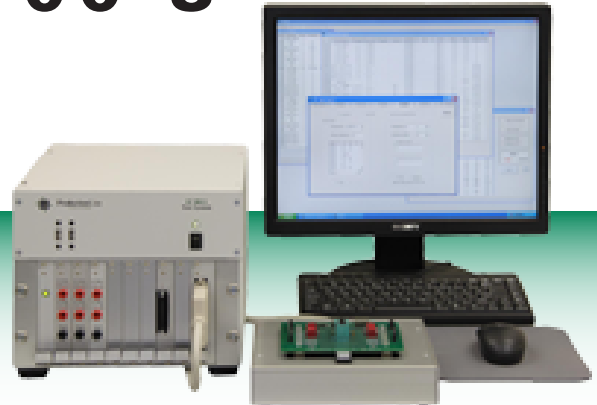


ProductionLine
TESTERS

IC100-S

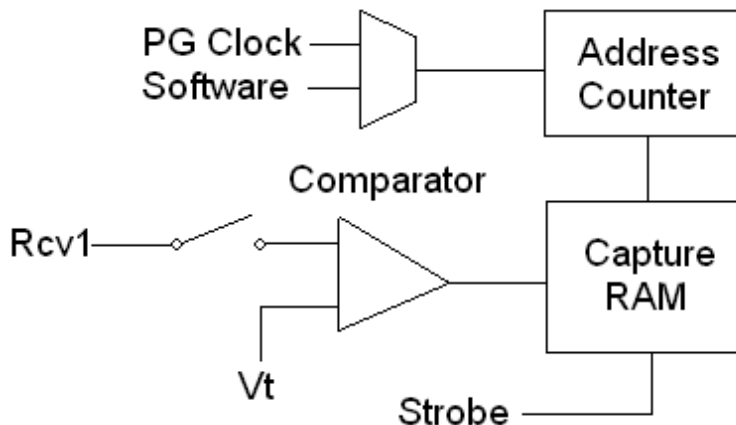


RCV

(Digital Input Receiver)

Features:

- 16 comparators for dynamic monitoring of digital pins
- Uses pulse generator clock, or may be stepped in software
- Programmable threshold sets the comparator level
- Each test programmed with variable vector depths, to 1K
- Counters run RAM address lines at programmed vector rate



Specifications:

- 16 comparators for dynamic monitoring of digital pins
- Uses pulse generator clock, or may be stepped in software
- Programmable threshold sets the comparator level
- Each test programmed with variable vector depths, to 1K
- Counters run RAM address lines at programmed vector rate