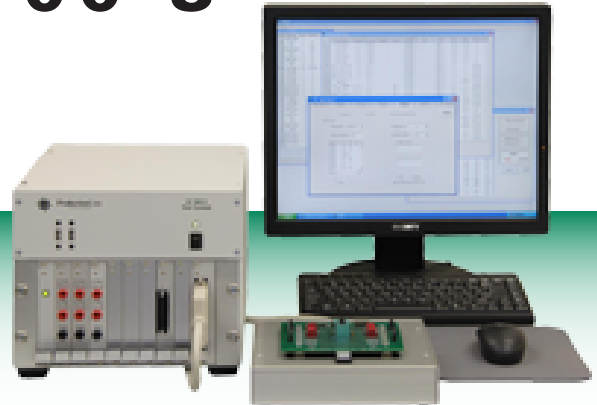


**ProductionLine**  
TESTERS

# IC100-S

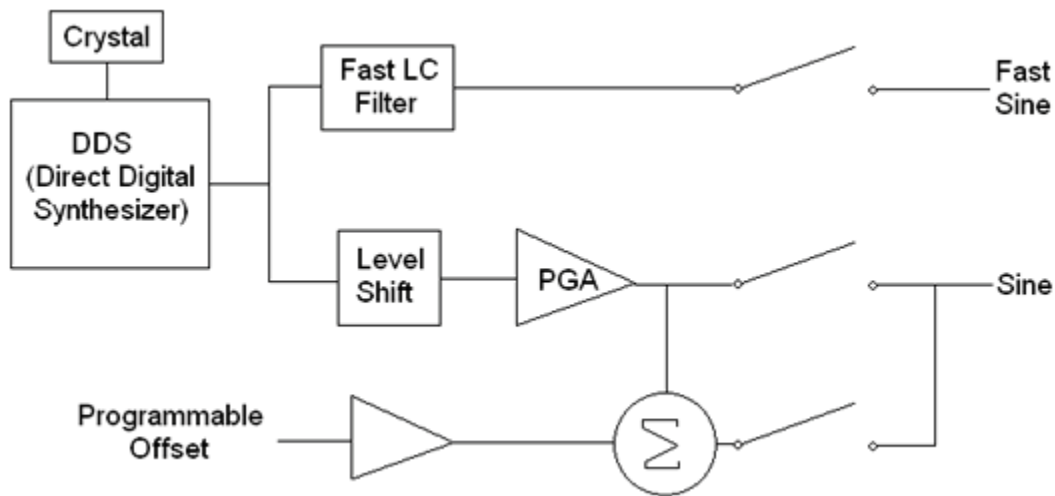


## SINE

(Sinewave Generator)

### Features:

- Precision (32-bit) direct digital synthesizer
- Fast path for direct sinewave
- Programmable gain and offset ideal for testing PSRR
- Embedded high-speed PLL internally runs at 400MHz



### Specifications:

- Fast sine programmable to 50MHz
- Slower path runs up to 20MHz
- PGA and offset programmed with 16-bit DAC's
- DDS includes 14-bit DAC, 400MHz internal clock, and 32-bit tuning