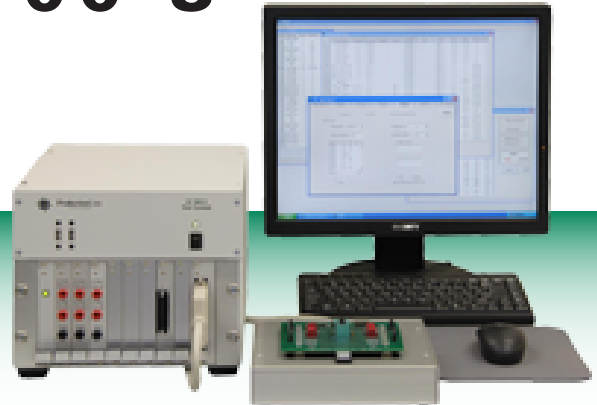




ProductionLine
TESTERS

IC100-S

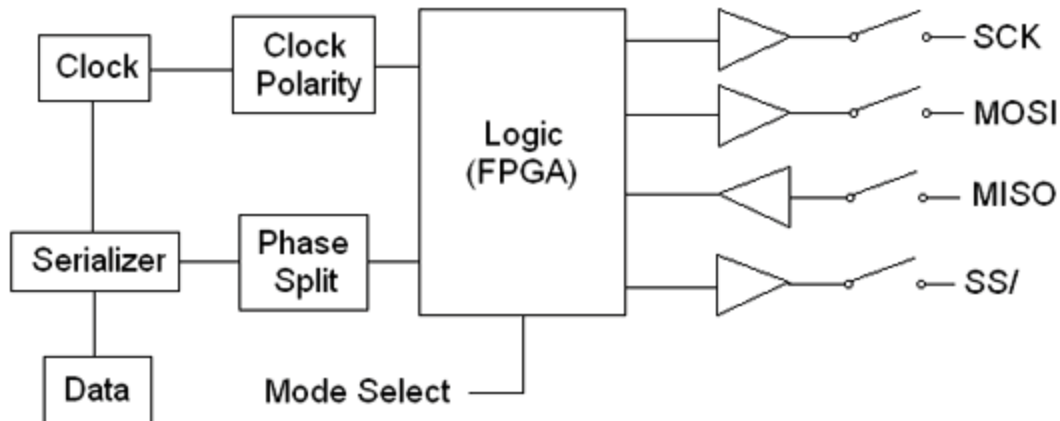


SPI

(Serial Peripheral Interface Port)

Features:

- Implements most of the functionality of the SPI master
- Clocking from near-DC to 20MHz
- Programmable I/O amplitude for compatibility
- Programmable word length
- Easy to use software interface



Specifications:

- Clock speed: 10Hz to 20MHz
- Programmable amplitude I/O from 0 to 5V
- Programmable word length from 8 bits to 32 bits