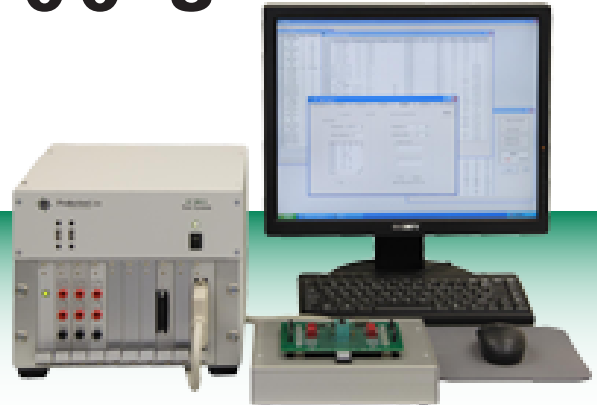


ProductionLine
TESTERS

IC100-S

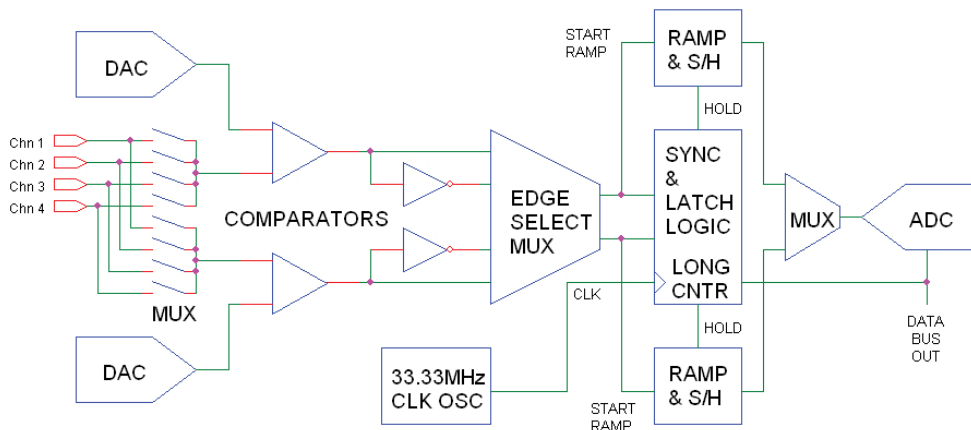


TIA

(Time Interval Analyzer Board)

Features:

- Measures risetime, falltime, prop delays, & other AC characteristics
- Relay matrix input connects signals to 2 comparators: start & stop
- Independent DAC's to set the threshold levels
- Edge-Select mux chooses the rising or falling edge of each comparator
- Coarse counter runs at 33.33MHz
- 2 fine-tune analog ramping circuits finds edges within the 30nsec period
- Programmable clock generator & cycle counter, variable widths & bursts



Specifications:

- Time interval: 10nsec min to 2msec max
- Overall accuracy: +/- 2nsec single shot
- Resolution: <100psec