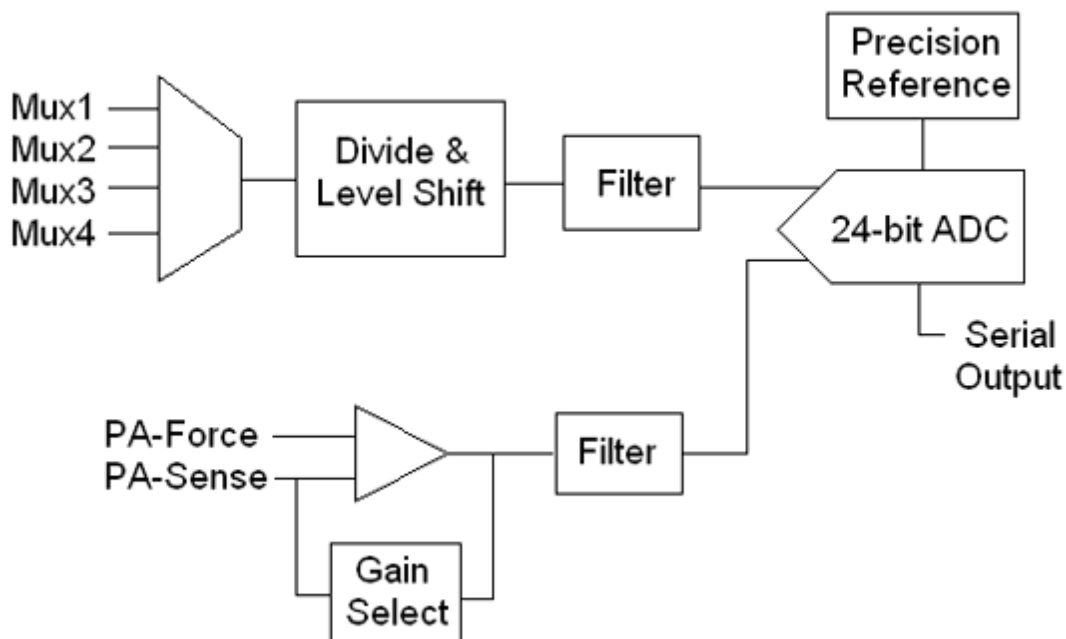


24B

(24-bit Analog to Digital Converter)

Features:

- Four channel input multiplexer
- Discrete Sallen-Keyes low pass filter, plus digital filtering
- Precision external reference for the ADC
- Picoammeter channel with variable gain
- Easy to use software interface



Specifications:

- 24-bit ADC, programmable from 18 to 24 bits
- +/-20V input compliance
- Variable conversion times, between 250usec (18b) to 64msec (24b)