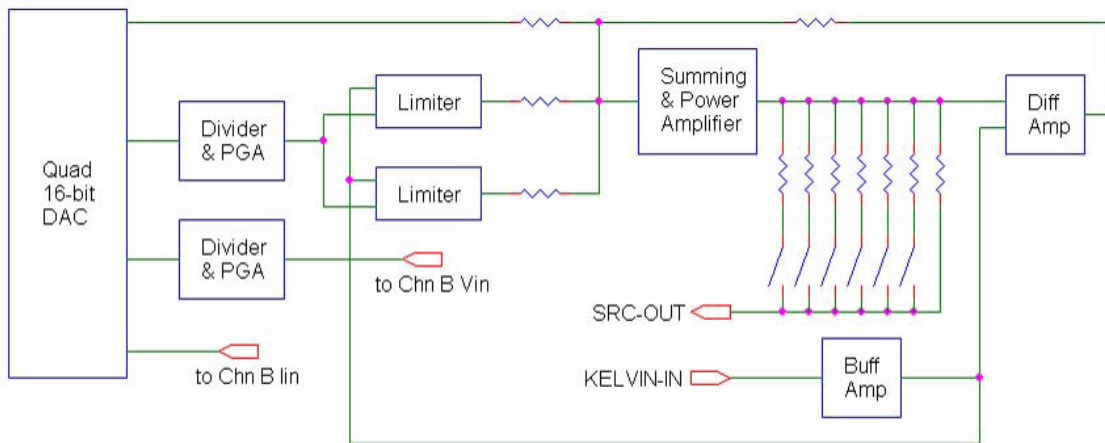


DVI

(Dual VI-Source Board)

- Dual 4-Quadrant Voltage/Current Source with Programmable Compliance
- Force Voltage & Measure Current or Force Current & Measure Voltage
- Separate Force & Sense (Kelvin) Lines for Improved Accuracy at the DUT
- Seven Current Ranges for each Channel



(only 1 channel shown)

Specifications:

- Voltage Range: +/- 20V
- 7 Current Ranges: (all +/-): 1uA, 10uA, 100uA, 1mA, 10mA, 100mA, 200mA
- Resolution: 600uV, and 30fA to 6uA, depending on range
- Basic Overall Accuracy: 0.3%
- PCB Size: 8.66" x 3.95", 4 Layers