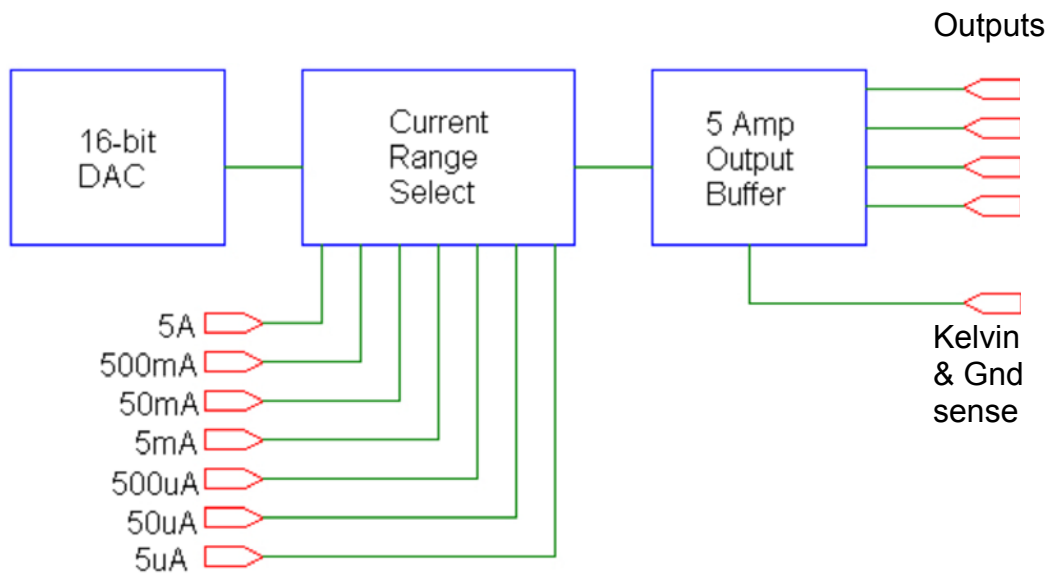


HII

(High-Current VI-Source Board)

- High current Voltage/Current Source with programmable compliance
- Force voltage & measure current, or force current & measure voltage
- Separate force and sense lines for improved accuracy at the DUT
- 1 voltage range & 7 current ranges



Specifications:

- Voltage range: +/-6V
- 7 current ranges: (all +/-): 5uA, 50uA, 500uA, 5mA, 50mA, 500mA, 5A
- Resolution: from about 10uV, and 1pA to 100uA, depending on range
- Basic overall accuracy: 0.5% typical, 3% for highest and lowest current
- PCB size: 8.66" x 3.95", 4 layers, 2 slots due to large heatsink