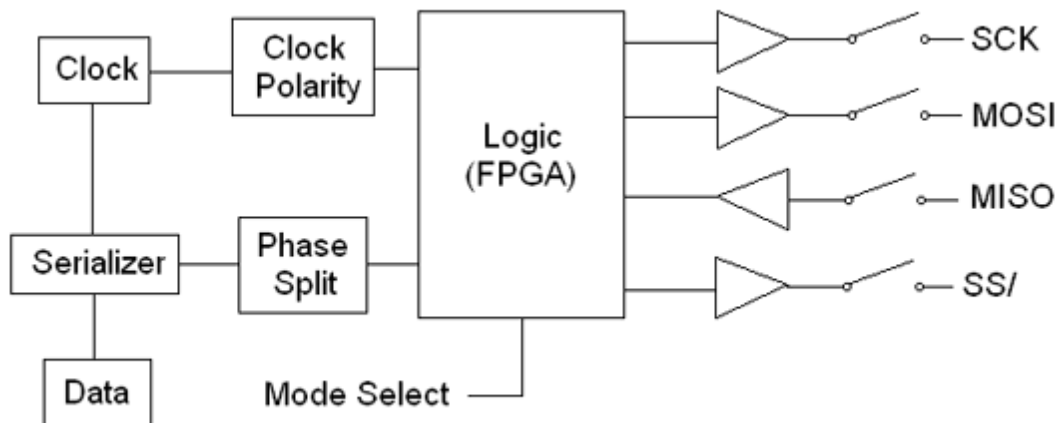


# SPI

## (Serial Peripheral Interface Port)

### Features:

- Implements most of the functionality of the SPI Master.
- Clocking from near-DC to 20MHz.
- Programmable I/O amplitude for compatibility.
- Programmable word length.
- Easy to use software interface.



### Specifications:

- Clock speed: 10Hz to 20MHz.
- Programmable amplitude I/O from 0 to 5V.
- Programmable word length from 8 bits to 32 bits.